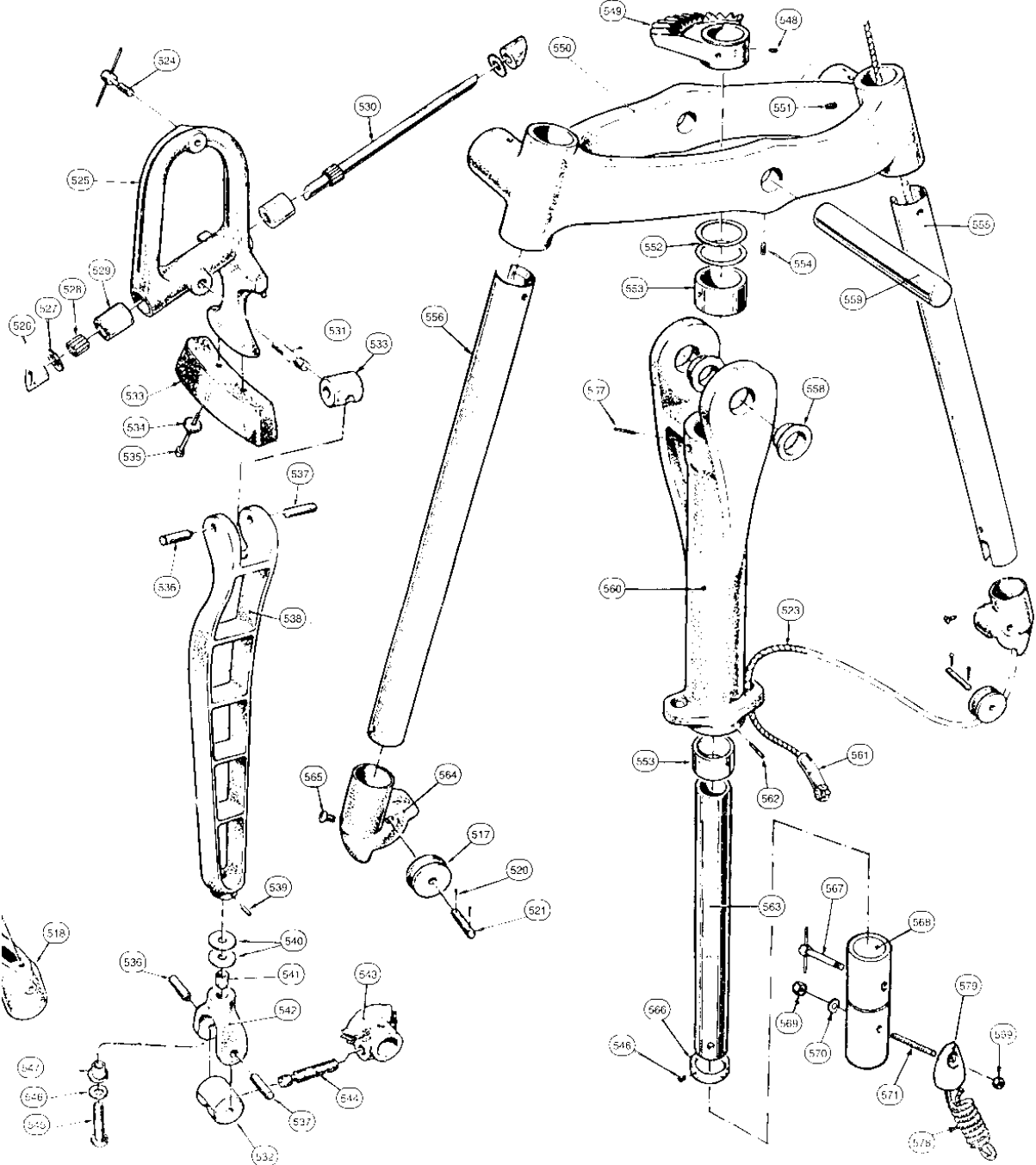
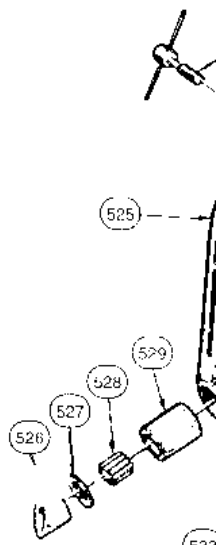
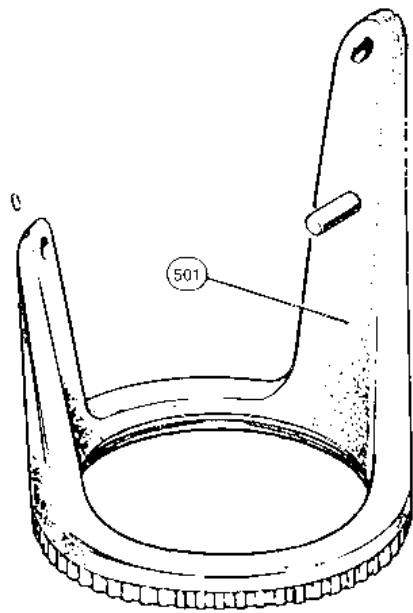
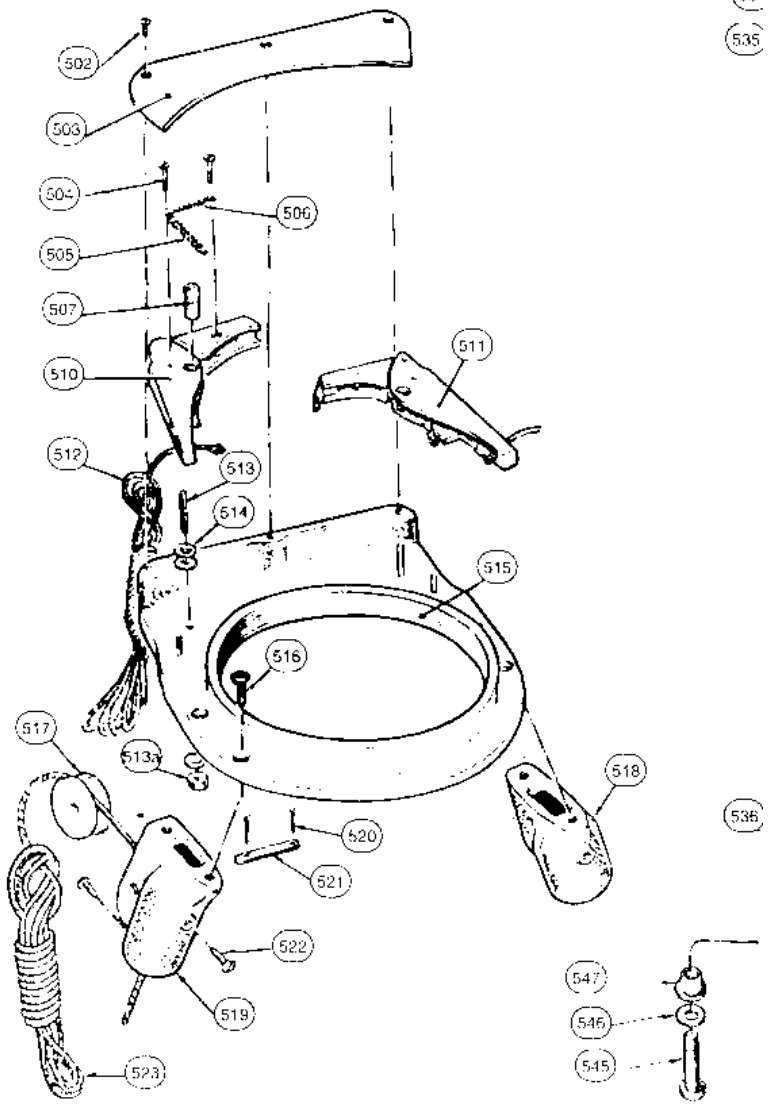


Aries Windsteuerung Zeichnungen





- 533
- 534
- 535



PARTS LIST

Part No.	DESCRIPTION
501.	TOOTHED VANE CARRIAGE.
502.	RATCHET COVER PLATE SCREW
503.	RATCHET COVER.
504.	SPRING RETAINING SCREW.
505.	RATCHET SPRING - LARGE.
506.	RATCHET SPRING - SMALL.
507.	NYLON BUSH.
510.	RATCHET - PORT HAND.
511.	RATCHET - STARBOARD HAND.
512.	SNAFFLE LINES - PAIR.
513.	RATCHET PIVOT.
514.	WASHERS 6mm.
515.	RATCHET BASE PLATE.
516.	BASE PLATE SCREWS.
517.	NYLON ROPE SHEAVE.
518.	TOP PULLEY CASTING - STARBOARD.
519.	TOP PULLEY CASTING - PORT.
520.	ROPE SHEAVE SPLIT PINS.
521.	ROPE SHEAVE STAINLESS SHAFT.
522.	TOP PULLEY CASTING SCREWS.
523.	8mm. PRESTRETCHED STEERING LINES (PAIR).
524.	VANE HOLDER 'T' HANDLE.
525.	VANE HOLDER CASTING.
526.	VANE PIVOT SHAFT SPACER.
527.	VANE SHAFT WASHER.
528.	NYLON ROLLERS.
529.	NYLON ROLLERS OUTER HOUSING.
530.	STAINLESS VANE PIVOT SHAFT.
531.	CONNECTING ROD ARM.
532.	SWIVEL JOINT BLOCK.
533.	LEAD WEIGHT.
534.	CUP WASHER.
535.	LEAD WEIGHT BOLT.
536.	JOINT BLOCK PIN - SPIGOT END.
537.	JOINT BLOCK PIN - PLAIN END.
538.	CONNECTING ROD.
539.	GRUB SCREW.
540.	FACE WASHERS.
541.	FORK END BUSH.
542.	FORK END.
543.	BEVEL GEAR PINION.
544.	CONNECTING ROD ARM.
545.	CONNECTING ROD SWIVEL BOLT.
546.	CONNECTING ROD SWIVEL BOLT WASHER.
547.	FORK END BUSH - HEADED.
548.	GRUB SCREW.
549.	LOWER BEVEL GEAR.
550.	MAINFRAME CASTING.
551.	MAINFRAME CASTING GLOB SCREWS.
552.	BEVEL ADJUSTING WASHERS.
553.	TEFLON BUSH.
554.	GRUB SCREW.
555.	'A' TUBE - STARBOARD.
556.	'A' TUBE - PORT.
557.	SPIROL PIN.
558.	HEADED BUSH.
559.	SERVO RUDDER SWIVEL SHAFT.
560.	SERVO RUDDER CASTING.
561.	PLASTIC SLEEVE.
562.	SPIROL PIN.
563.	STAINLESS SERVO RUDDER SPINDLE.
564.	LOWER SHELL CASTING.
565.	LOWER SHELL CASTING SCREWS.
566.	RETAINING COLLAR.
567.	RUDDER COUPLING 'T' HANDLE.
568.	RUDDER COUPLING.
569.	COUPLING BOLT NUT.
570.	COUPLING BOLT WASHER.
571.	COUPLING BOLT.
578.	RUDDER SAFETY LANYARD.
579.	SAFETY LANYARD CASTING.
580.	SERVO RUDDER. not illustrated
581.	PLYWOOD VANE not illustrated